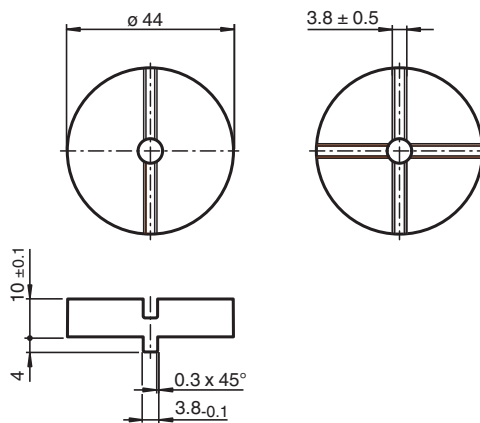


## Distance disc MH-BT65-SD-01

- Stainless steel spacer
- Suitable for Actuator BT65.../BT115...
- Robust and dedicated for high torques
- Simple and fast mounting

Distance disc

### Dimensions







### Technical Data

#### Mechanical specifications

Material	Stainless steel 1.4305 / AISI 303
Mass	110 g

### Matching System Components

	<b>BT65A</b>	Activator for F31 series
	<b>BT65B</b>	Activator for F31 series
	<b>BT65-F31-RG-EN</b>	Activator for F31 and F31K series including protective housing
	<b>BT115A</b>	Activator for F31 series

Release date: 2021-05-18 Date of issue: 2021-05-18 Filename: 70115415\_eng.pdf

Refer to "General Notes Relating to Pepperl+Fuchs Product Information".

Pepperl+Fuchs Group  
www.pepperl-fuchs.com

USA: +1 330 486 0001  
fa-info@us.pepperl-fuchs.com

Germany: +49 621 776 1111  
fa-info@de.pepperl-fuchs.com

Singapore: +65 6779 9091  
fa-info@sg.pepperl-fuchs.com

 **PEPPERL+FUCHS**